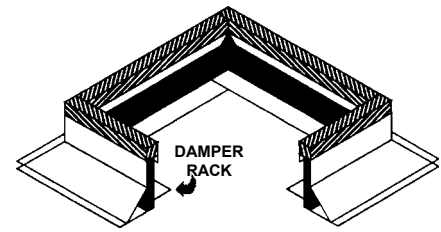


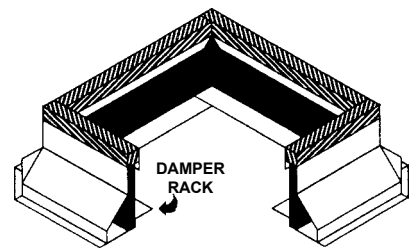
STANDARD CONSTRUCTION

All curb models are available with damper racks.

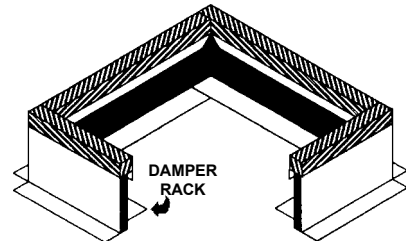
- Damper racks are fabricated of the same material and gauge as the curb.
- Damper rack flanges are located in the bottom of the curb to eliminate interference with equipment mounted on top of the curb.
- Curb dimensions are specified to the outside perimeter of the top of the curb (A x B).
- Damper rack dimensions must be specified to the inside dimension of the damper rack flange (A1 x B1).



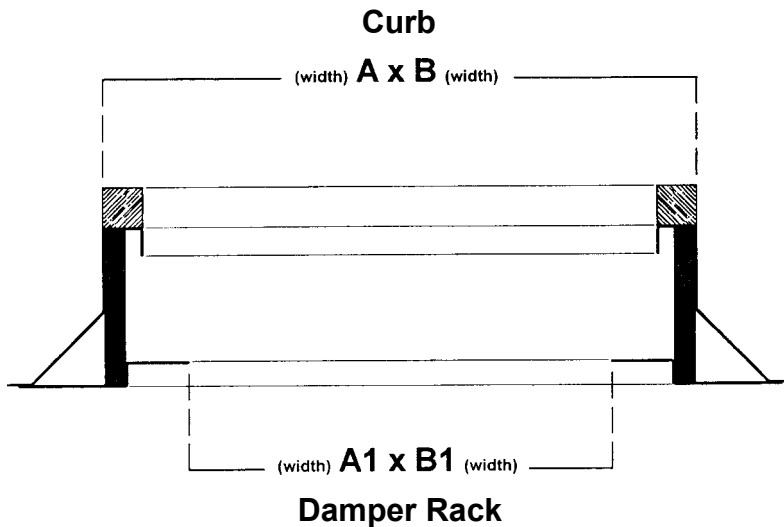
CANTED



RAISED CANT



SELF FLASHING



Qty.	'A'	'B'	'C'	'A1'	'B1'	Options / Accessories	Model/Tag

PROJECT: _____

LOCATION: _____

ARCHITECT: _____

ENGINEER: _____

CONTRACTOR: _____

PO NUMBER: _____

DATE: _____